

ERF4063, UMTS antenna, U.FL connector

**Features**

Electrical Properties Parameter:	Description
Frequency Band:	824~960 MHz / 1710~2170MHz
Nominal Impedance:	50 Ω
Polarization:	Linear
V.S.W.R:	< 3.0
Gain:(without cable)	2 dBi



**Mechanical Properties**

Parameter:	Description
Antenna Type:	internal Antenna
Connector Type:	U.FL
PCB Dimensions:	36*13.2*0.8mm ± 0.1
Cable type:	RF 1.37
Cable Length:	10 cm ± 0.5
Antenna Color:	Green
Operating Temperature Range:	-40°C~+85°C
Storage Temperature Range:	-40°C~+85°C

**Typical applications**

- GSM
- GPRS
- M2M
- 2G/3G

**Description**

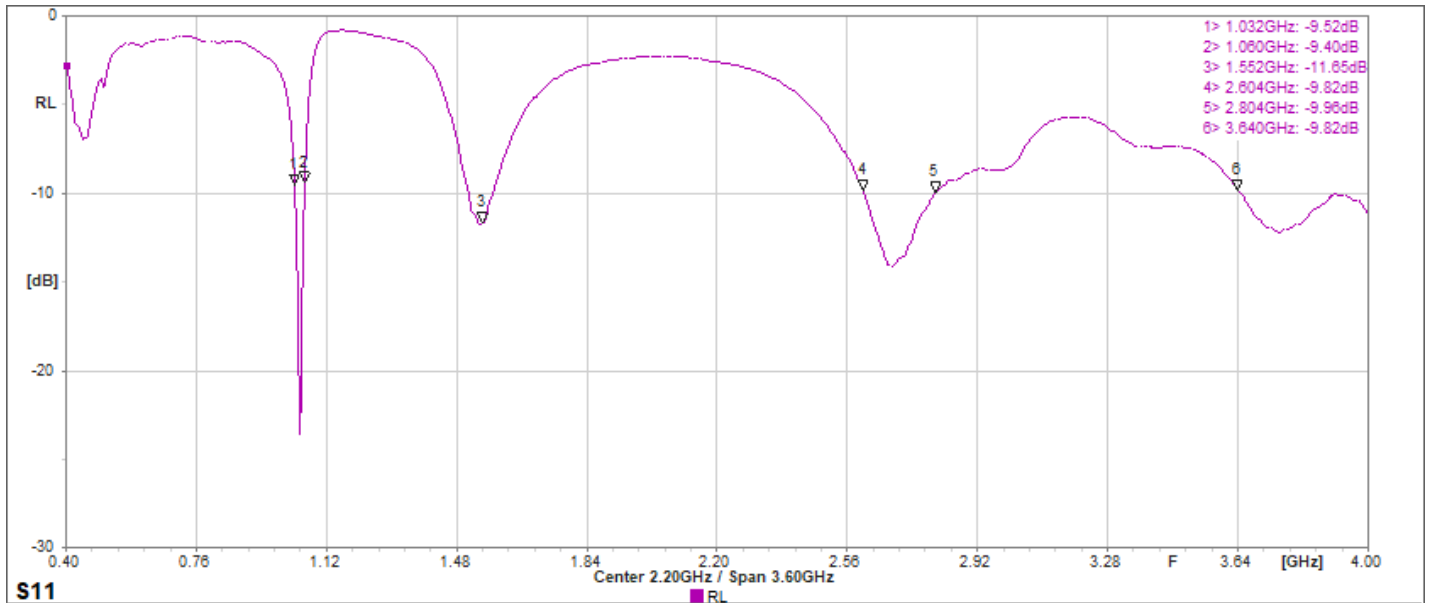
The ERF4063 antenna is an internal UMTS antenna with a U.FL connector. The antenna can also be used in the frequency band of 1710 ~ 2170 MHz.

The antenna can be used for applications such as, GSM , M2M and 2G/3G.

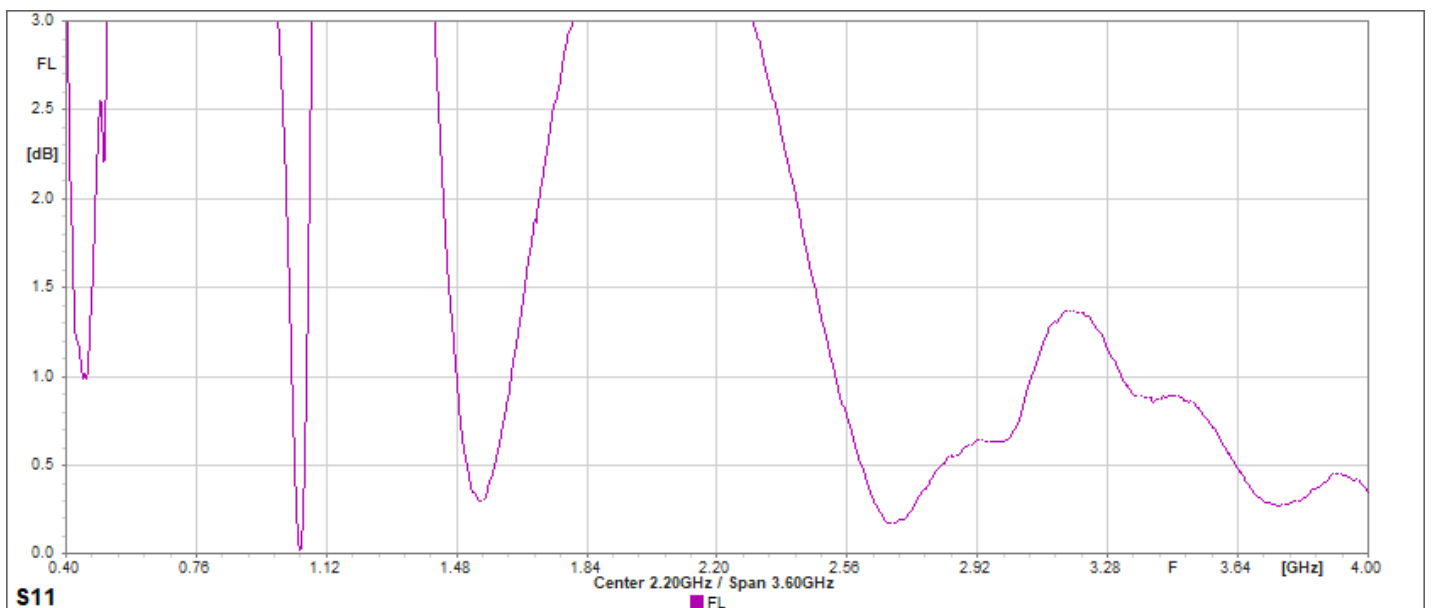
ERF4063, UMTS antenna, U.FL connector

**Antenna Properties**

**Return Loss**

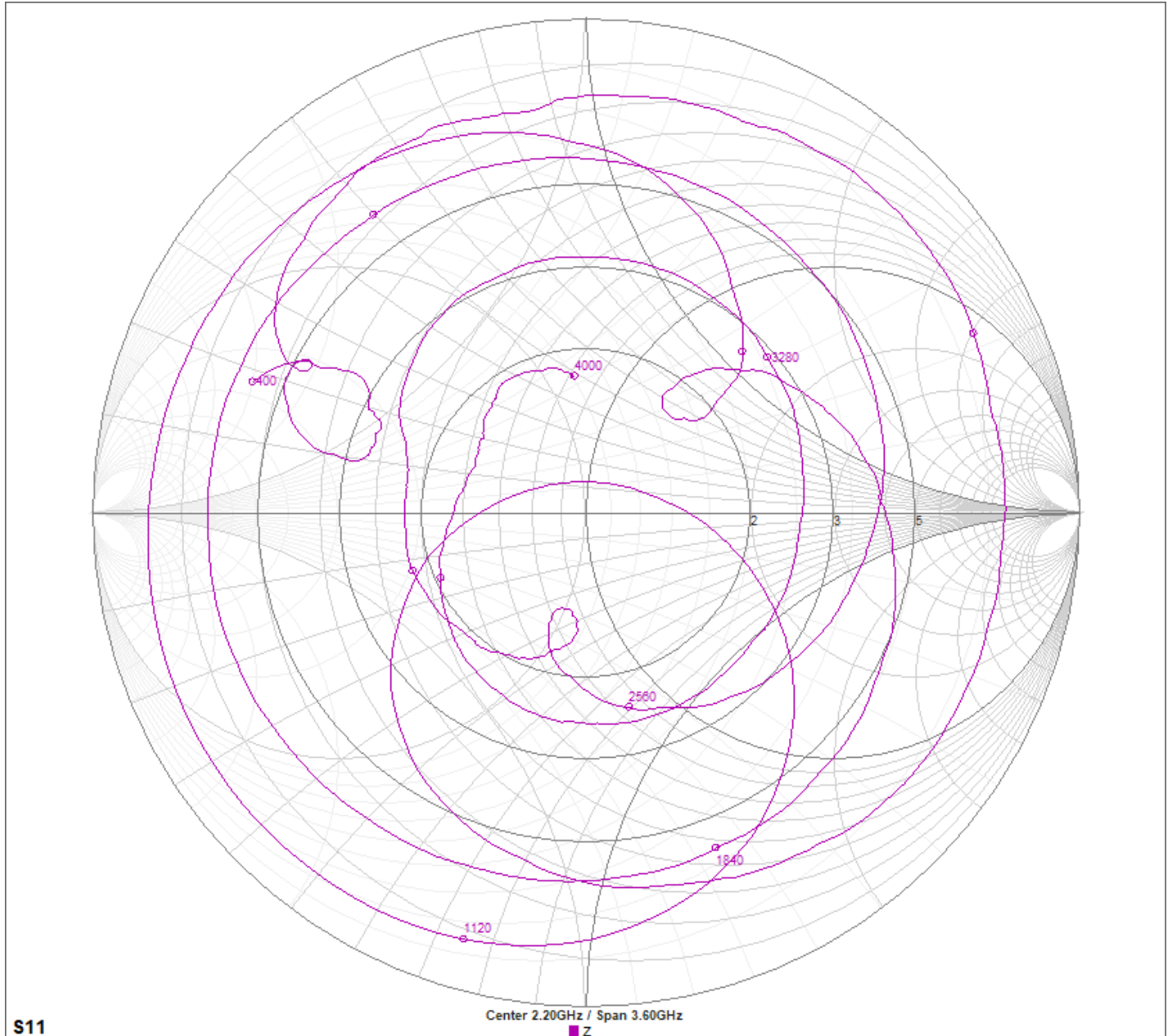


**Forward Loss**



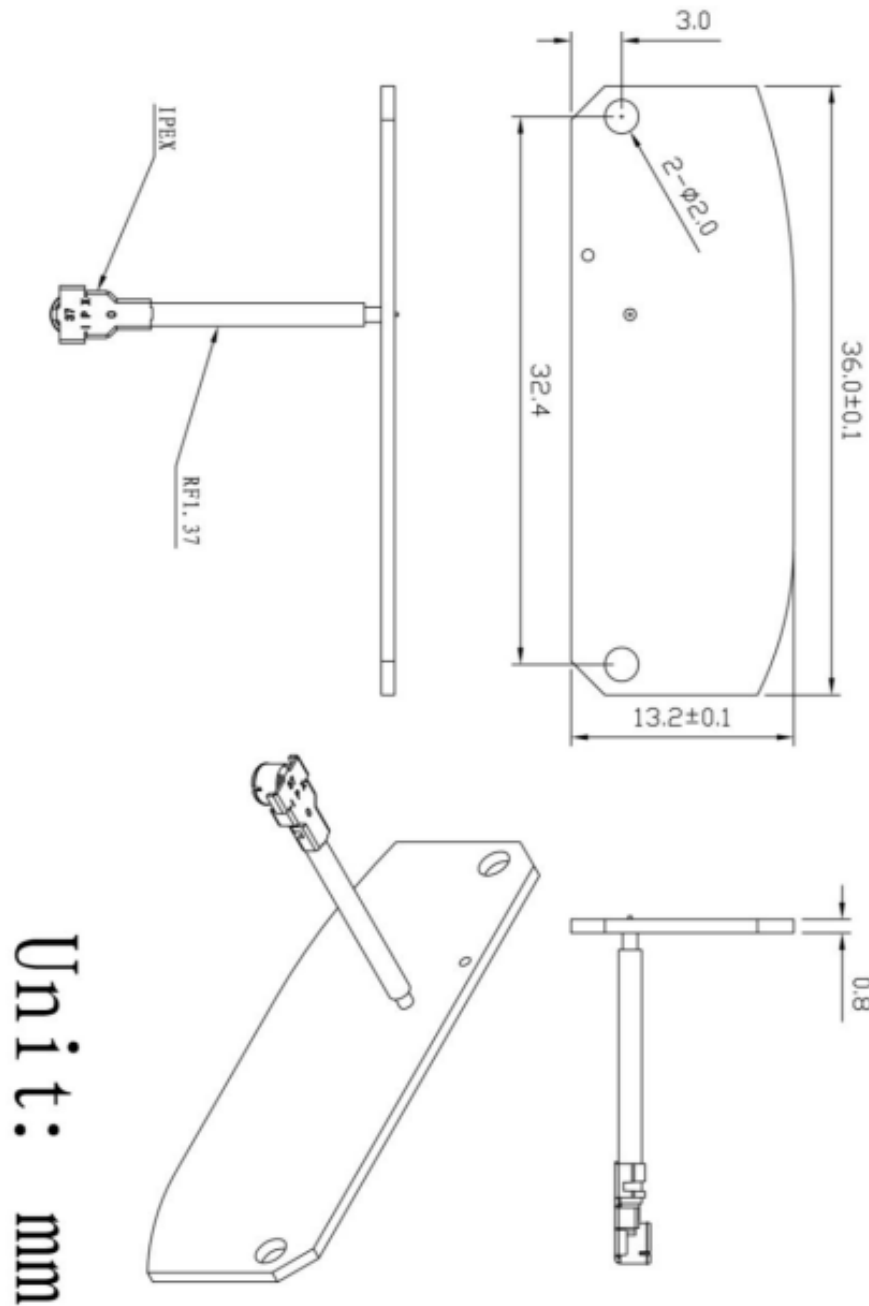
ERF4063, UMTS antenna, U.FL connector

Impedance



ERF4063, UMTS antenna, U.FL connector

Dimensions





## ERF4063, UMTS antenna, U.FL connector

---

### Connector

The ERF4063 uses a U.FL connector.

### Ordering information

Ordering can be done via [www.summit-electronics.com](http://www.summit-electronics.com) or via [info@summit-electronics.com](mailto:info@summit-electronics.com). Please contact us for more information. Customisation of the product is available on request.

### Technical support

For all product questions please contact us via [info@summit-electronics.com](mailto:info@summit-electronics.com)